



**Electronics
Vertriebs GmbH**

KARO Algasinger Weg 14 D-84405 Dorfen Germany

TEL 08081 / 957 450, FAX 08081 / 957 469
e-mail: info@karoelectronics.de
www.karoelectronics.de
www.karoelectronics.com

TAPE CASTING MACHINES - made in Germany

SOFC

MCFC

MLCC

HTCC

LTCC

PZT

Ferrites

Dear Sirs,

for more than 20 years we are active in the ceramic multilayer industry. KARO Electronics GmbH manufactures dedicated tape casting machines for the production of *SOFC, MCFC, PZT, MLCC, Al₂O₃, AlN, ZrO₂, LTCC, Ferrites*, etc. We also work with customers on special production solutions for *plastic foils* including UV-curing.

Our tape casting machines work with solvent based and with water based slurry systems. Besides state-of-the-art-technology we work on new innovative concepts together with research institutes and industrial companies.

All machines are built to customer's requirements.

We offer

- high volume production machines
- laboratory systems
- ATEX, CE, EMC-conformity and certification
- modular approach
- very rigid and vibration-free design
- dedicated drying / heating and air flow solutions
- thermal oxidizers (after burners)
- PET and stainless steel belt support carrier
- automatic slurry level control
- advanced wet and dry tape thickness measurement with data logging
- automatic optical inspection
- slitting devices
- data logging (SPC) for all parameters and measurements
- and much more

If you are interesting in receiving further information on our tape casting systems please contact us at info@karoelectronics.de or by phone: +49-8081-957 450.

With best regards
KARO Electronics Vertriebs GmbH

Rainer Ronniger

On the next page you'll find a few pictures of a **33 meter long tape casting machine** we recently delivered to an international ceramics manufacturer.

Dresdner Bank München (BLZ 700 800 00)
Konto/account 8 826 900 00

USt.-Id.-Nr.:
DE 129392685

Geschäftsführer: Rainer Ronniger
Amtsgericht München HRB 85 599



**Electronics
Vertriebs GmbH**

KARO Algasinger Weg 14 D-84405 Dorfen Germany

TEL 08081 / 957 450, FAX 08081 / 957 469

e-mail: info@karoelectronics.de

www.karoelectronics.de

www.karoelectronics.com

TAPE CASTING MACHINES - made in Germany

SOFC

MCFC

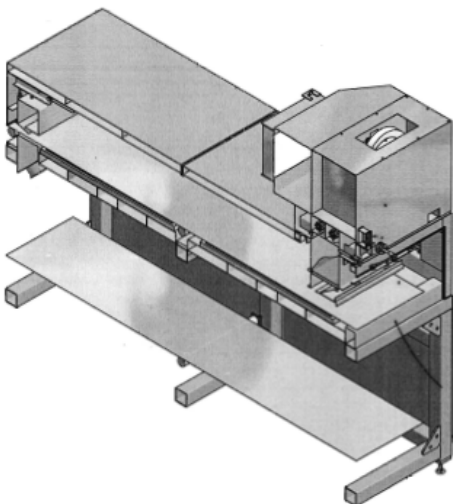
MLCC

HTCC

LTCC

PZT

Ferrites



KARO Electronics Vertriebs GmbH
Algasinger Weg 14
D-84405 Dorfen
Germany

Phone +49-8081-957 450

Fax +49-8081-957 469

email info@karoelectronics.de

Dresdner Bank München (BLZ 700 800 00)
Konto/account 8 826 900 00

USt.-Id.-Nr.:
DE 129392685

Geschäftsführer: Rainer Ronniger
Amtsgericht München HRB 85 599